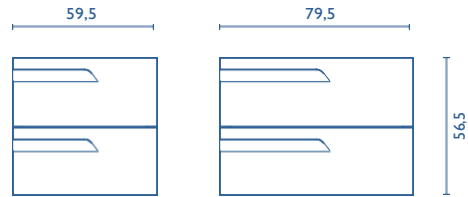


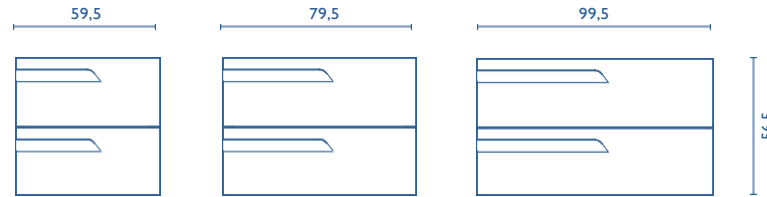
FURNITURE AND AUXILIARIES

UNITS

Depth 38



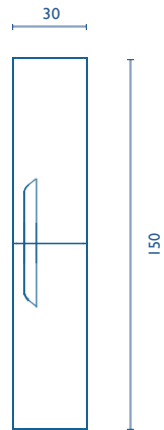
Depth 45



The 120 measurements are based on the 60 modules.

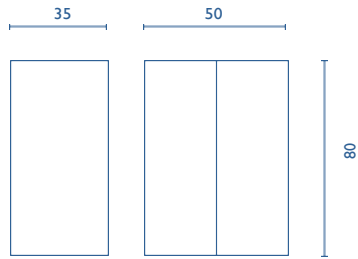
COLUMN

Depth 24



WALL UNIT

Depth 15



* Measures in cm.

FINISHES



NATURE WHITE



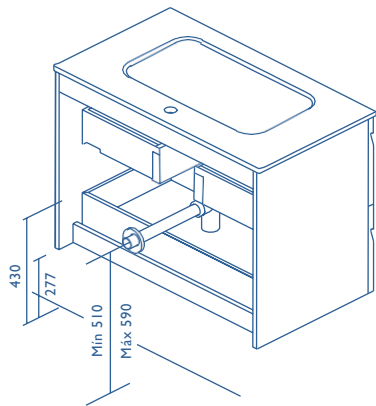
NATURE GREY



WHITE GLOSS

Rear plumbing 7 cm.

2 Drawers



SIDE PANELS	FRONTS	DRAWERS				HANDLE	FINISHES	SIDE PANEL FINISHES	FRONT FINISHES	RANGE WIDERING			
Fibreboard 16 mm	Fibreboard 18 mm	Fully removable Indaux	Grey textile interior	Drawer organizer	Soft close	Integral front handle	Foil 3D	Flat lacquering	Special lacquer finish	D-39	D-46	Wall hanging	Floor standing

Dimensions indicated in the drawing are based on the level of the whole leg, in case of wall hanging the furniture dimensions also may vary. The measures of these schemes are represented in mm.